



M&C

INSTRUCTION MANUAL

NUKI UNIVERSAL CYLINDER



Contents

- 1x +5 mm
- 1x +10 mm
- 1x D
- 1x +7,5 mm
- 1x +25 mm
- 1x +5 mm
- 1x +10 mm

1x 32/30+25



HEX 2,5

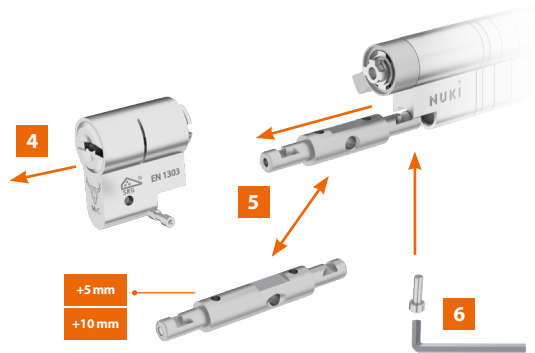
- 1x +2,5mm
- 1x +5 mm
- 1x +7,5 mm
- 1x +10 mm

Outside

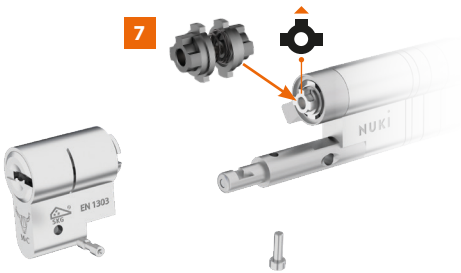
1



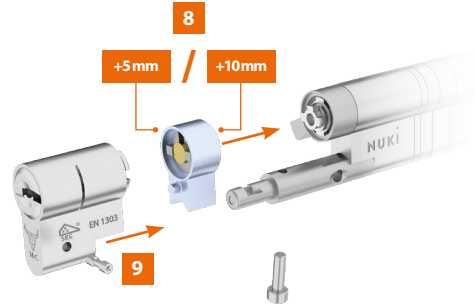
2



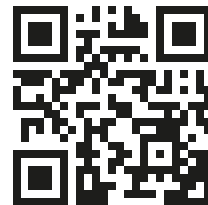
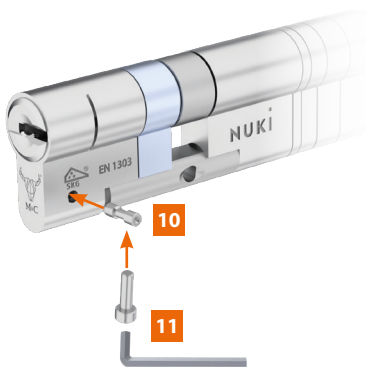
3



4

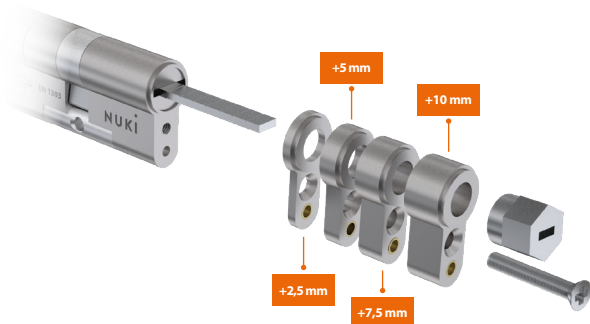


5



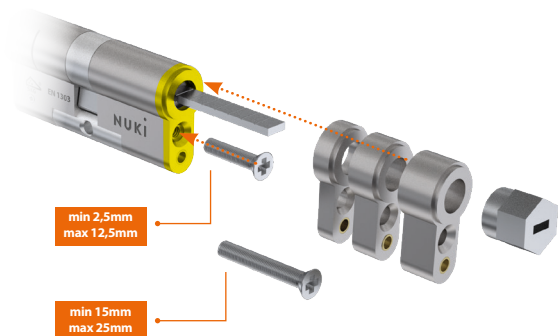
ASSEMBLY VIDEO

1

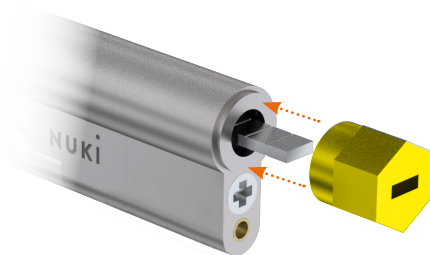


Inside

2

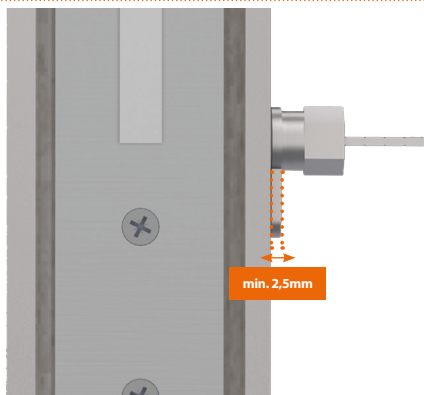


3

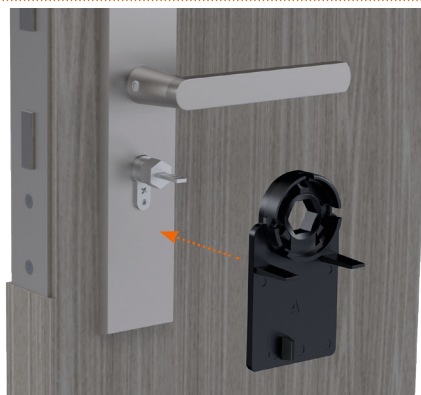


max. 25 mm

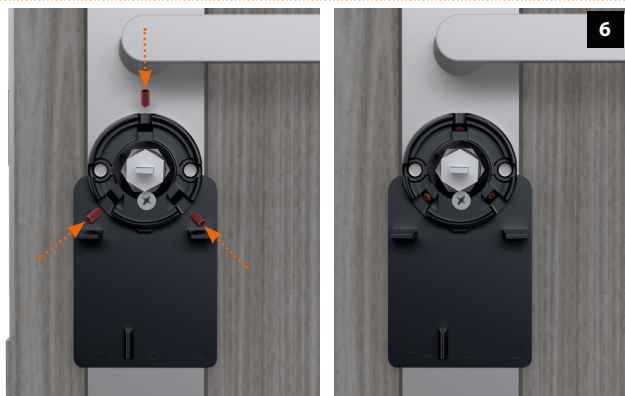
4



5



6



7

